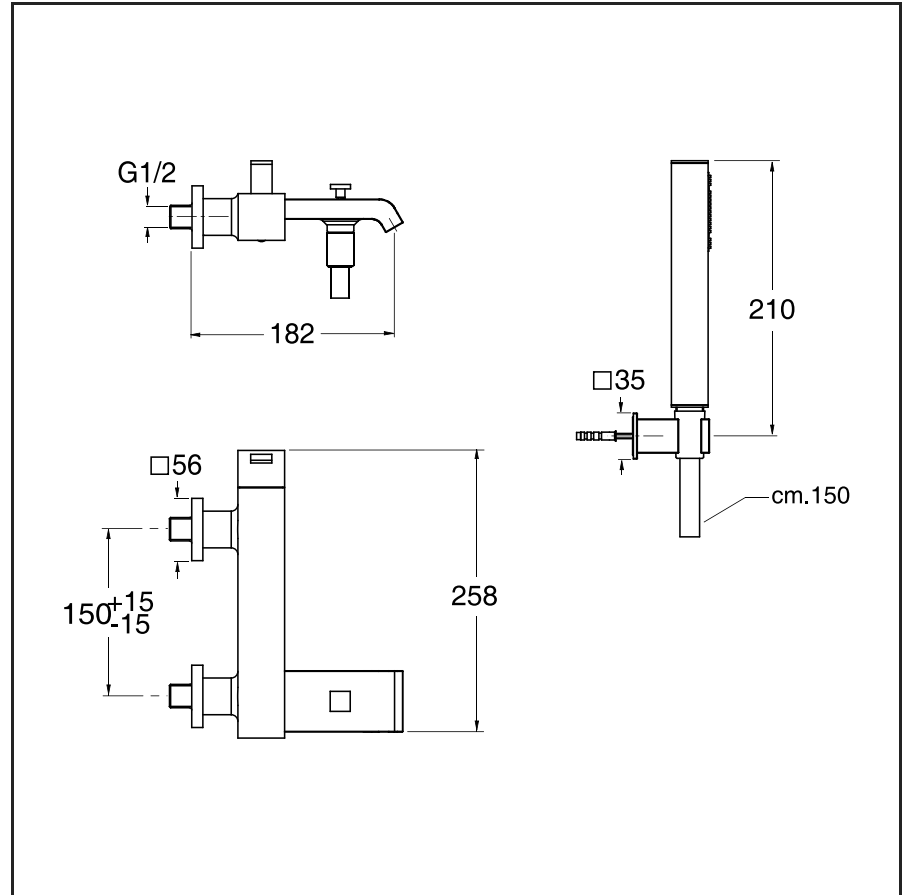
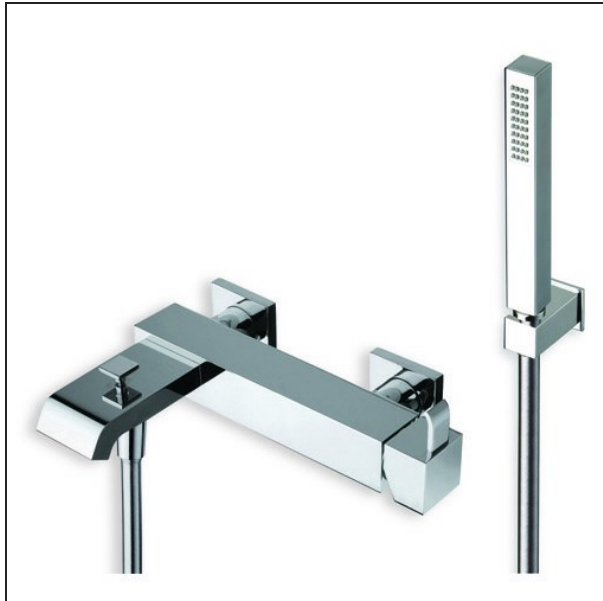


# QM 100

CRISTINA

External bath mixer with LONG LIFE flexible hose and anti-lime hand shower



13 Black mat

24 White mat

52 Gold

51 Chrome Plated

## CERTIFICATIONS

Product available for the following certifications

